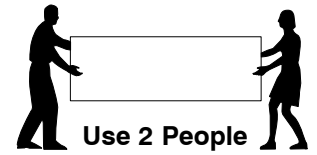
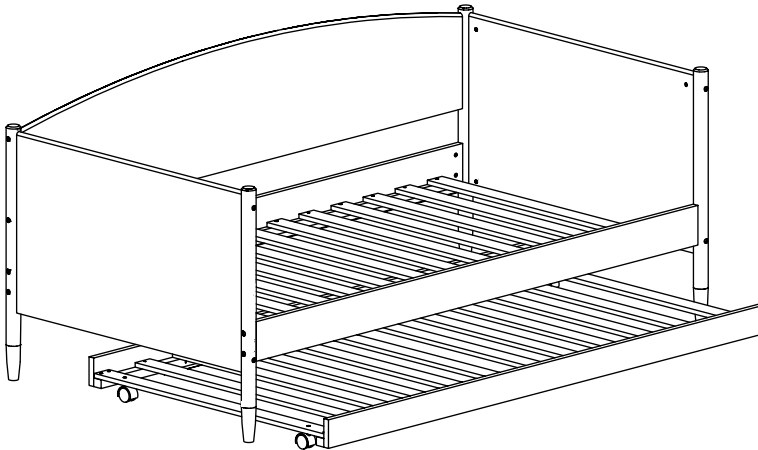


Daybed

Assembly Instructions

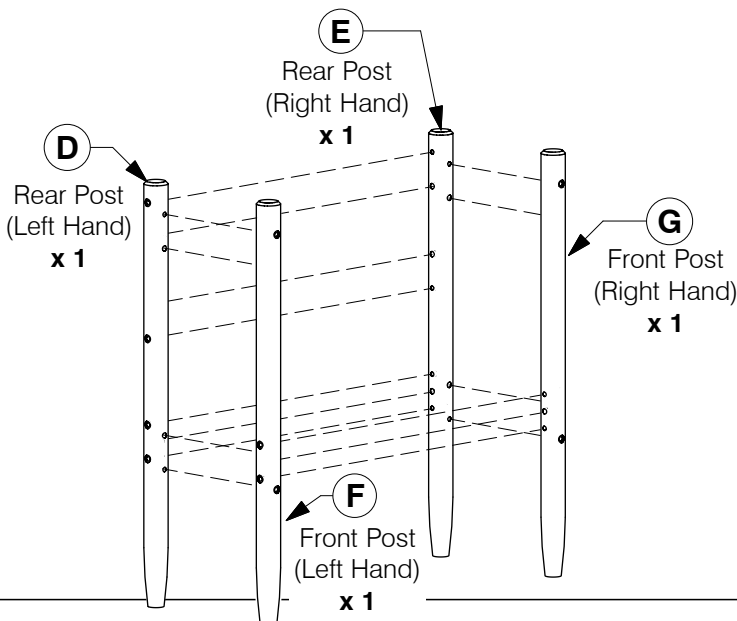
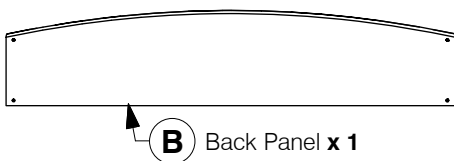
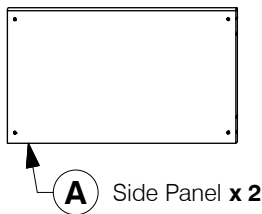
W11-0419

1 Assembled View

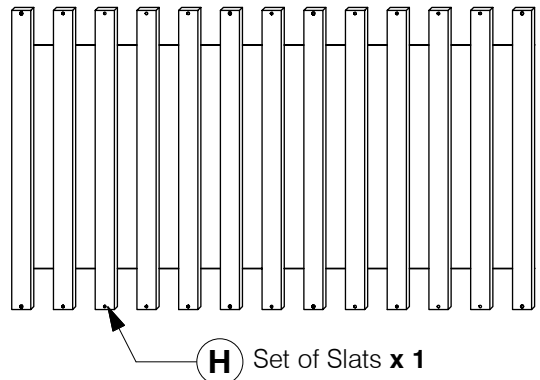


Note: Do not assemble using power tools. This can cause the bolts to be overtightened

2 Parts in this Box



Slats are packed in separately in Box B



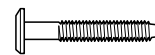
3 Hardware in this Box



1 M6 x 90mm JCB x 20



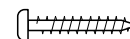
4 Barrel Nut x 20



2 M6 x 40mm JCB x 8



5 Wood Dowel (10 x 40mm) x 16



3 Wood Screw (M4 x 32mm) x 18



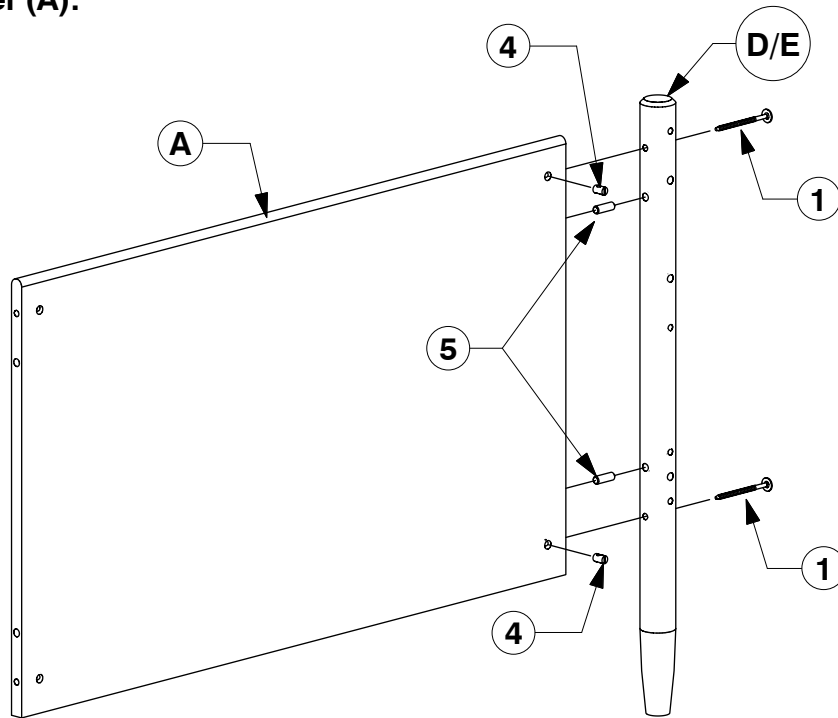
6 Allen Key x 1

Daybed

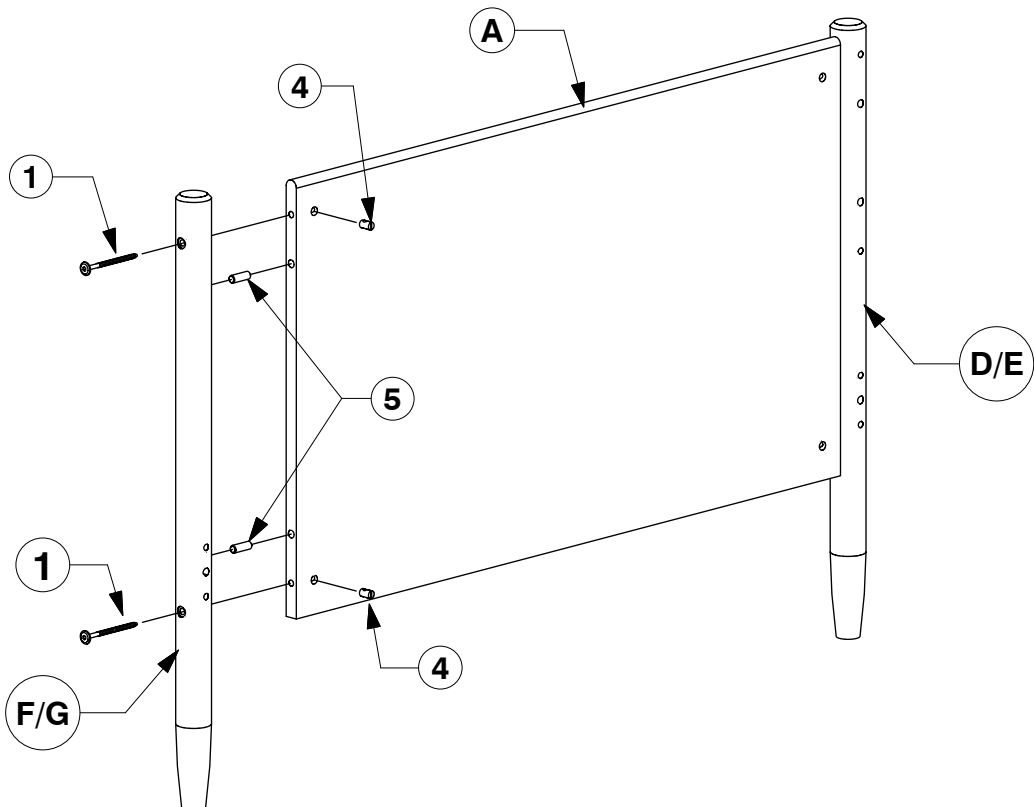
Assembly Instructions

WII-0419

- 4** Assemble the Rear Post (D/E) to the Side Panel (A).



- 5** Assemble the Front Post (F/G) to the Side Panel (A).

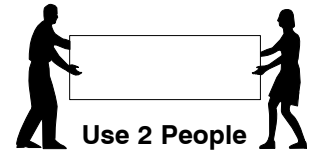
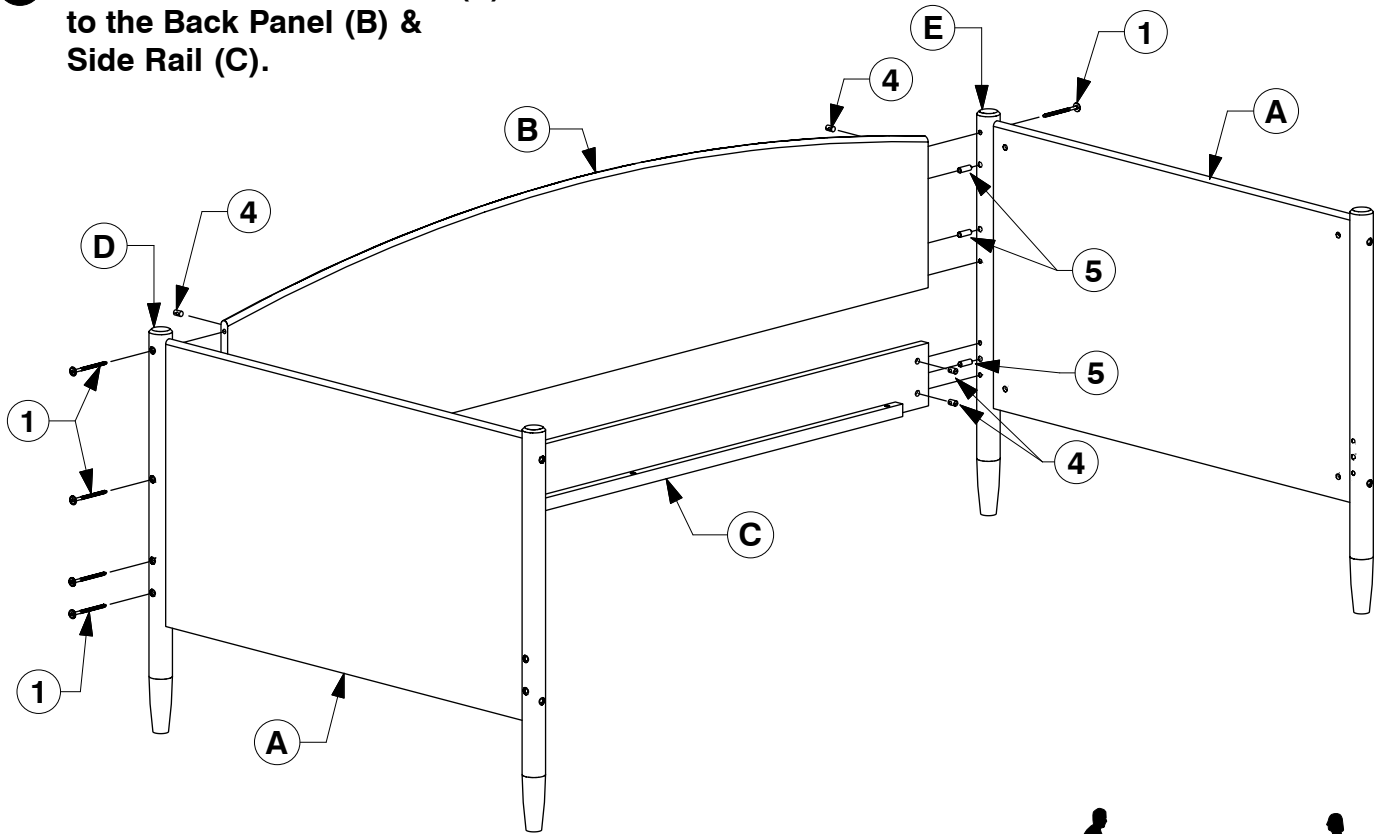


Daybed

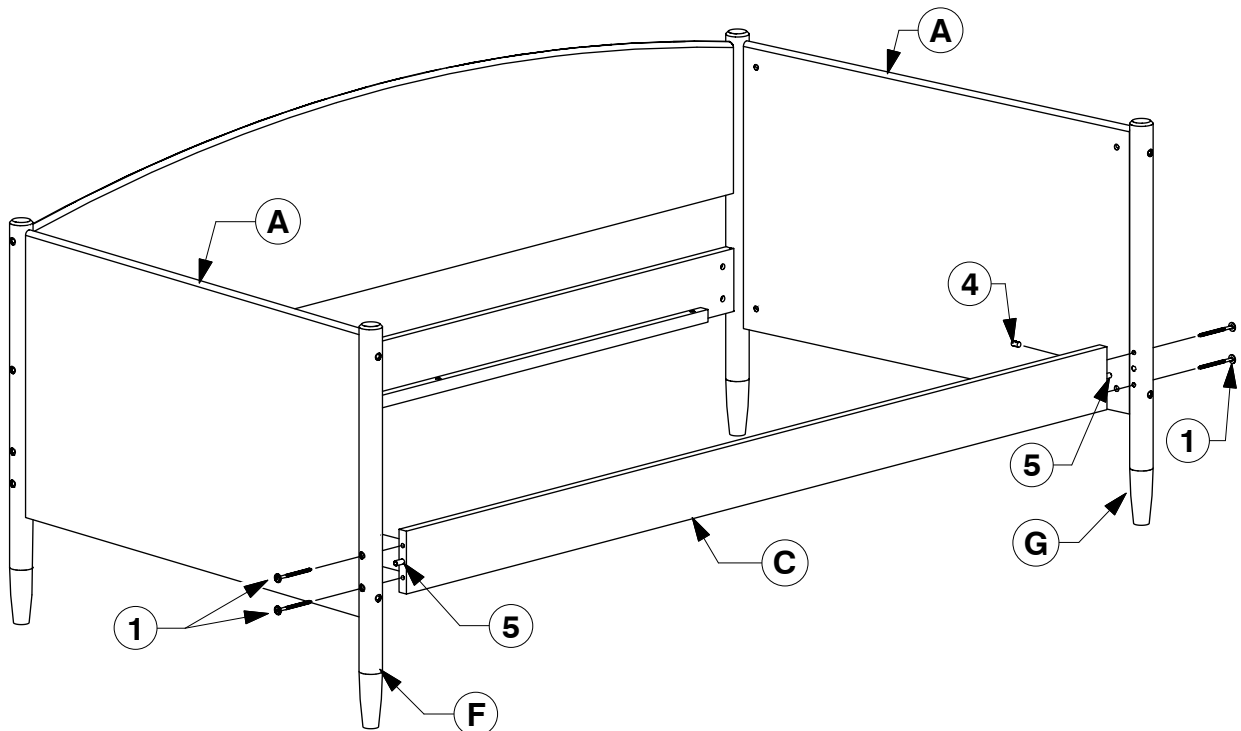
Assembly Instructions

WII-0419

- 6 Assemble the Side Panel (A) to the Back Panel (B) & Side Rail (C).**



- 7 Assemble the Side Rail (C) to the Front Post (F/G).**

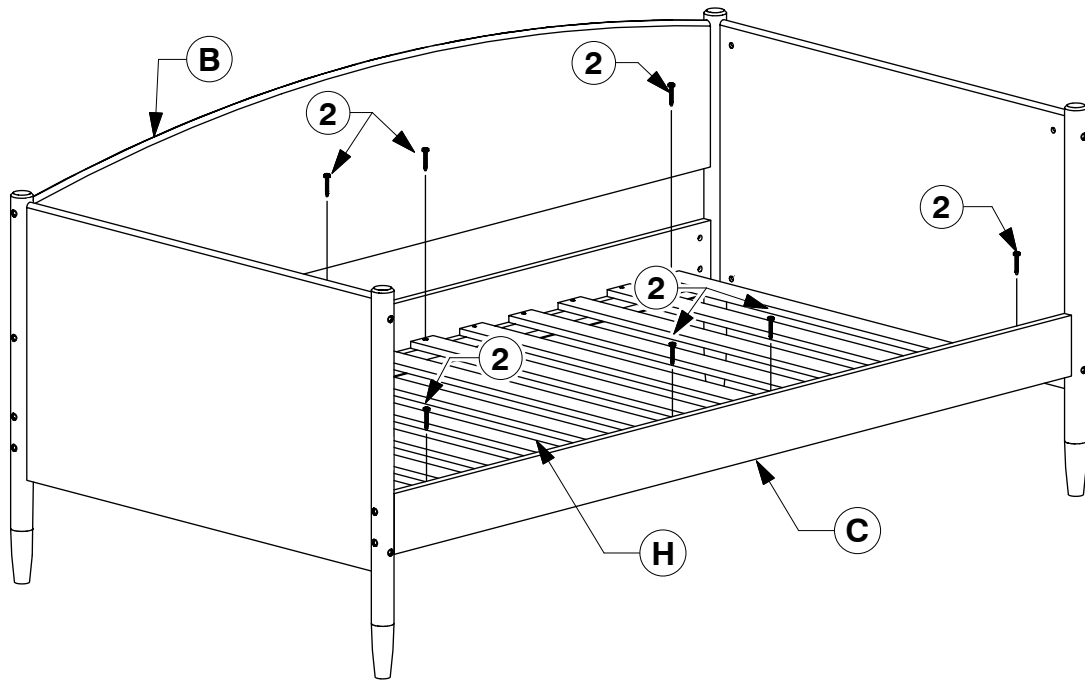


Daybed

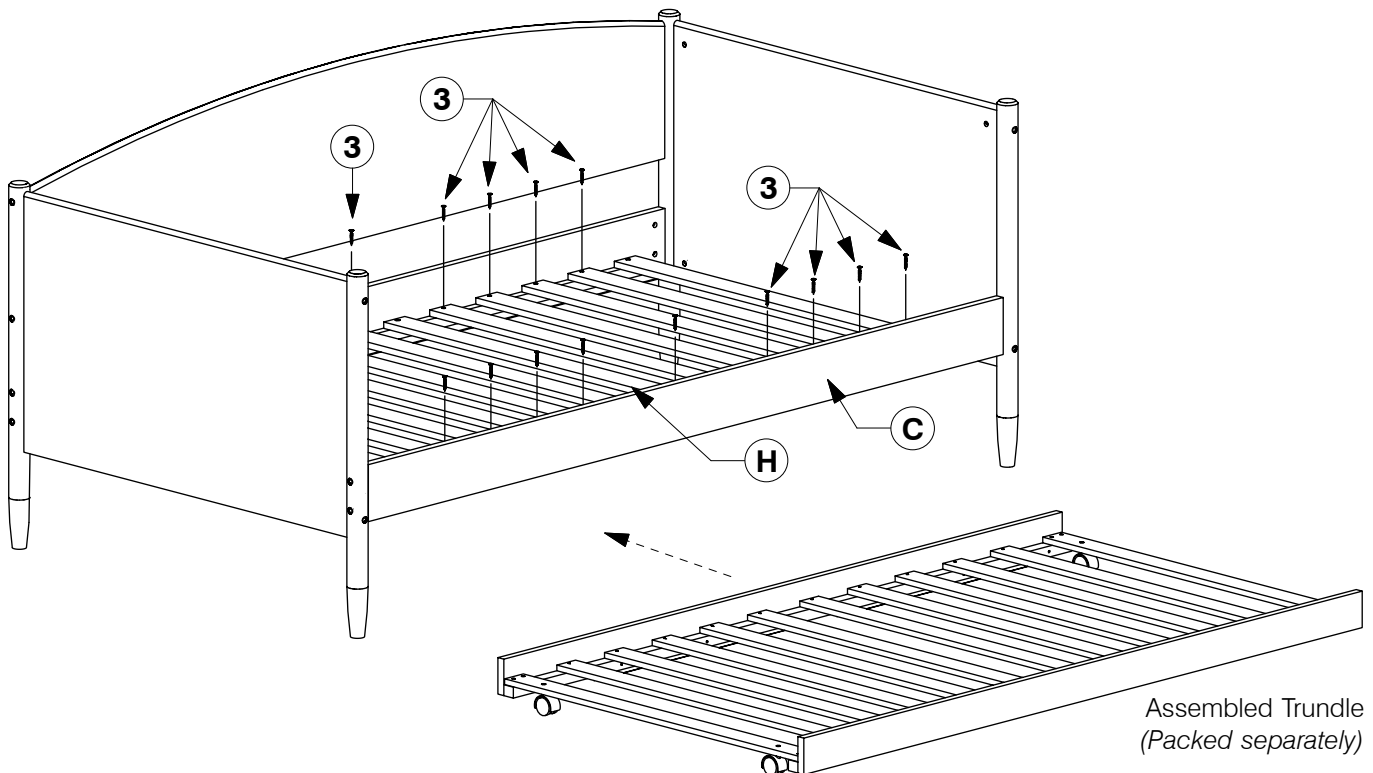
Assembly Instructions

WII-0419

- 8** Bolt the Set of Slats (H) between the Side Rail (C).



- 9** Screw the Set of Slats (H) between the Side Rail (C). Finally, fit the assembled Trundle.



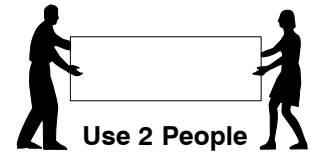
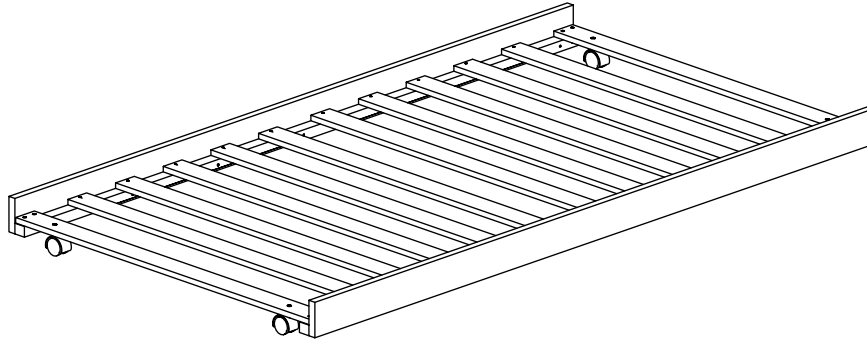
Assembled Trundle
(Packed separately)

Daybed Trundle

Assembly Instructions

WII-0419

1 Assembled View

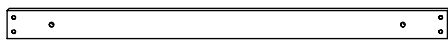


Note: Do not assemble using power tools. This can cause the bolts to be overtightened

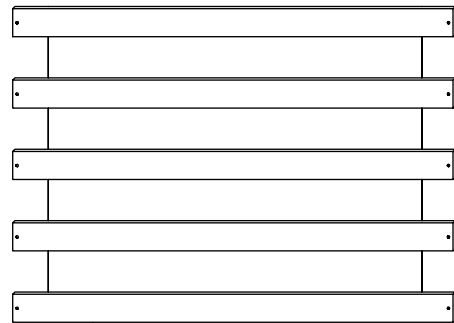
2 Parts List



A Trundle Panel x 2



B Trundle Support Rail x 2

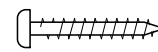


C Set of Slats x 2

3 Hardware List



1 M6 x 40mm JCB
x 8



2 Wood Screw
(M4 x 32mm)
x 20



3 Allen Key
x 1



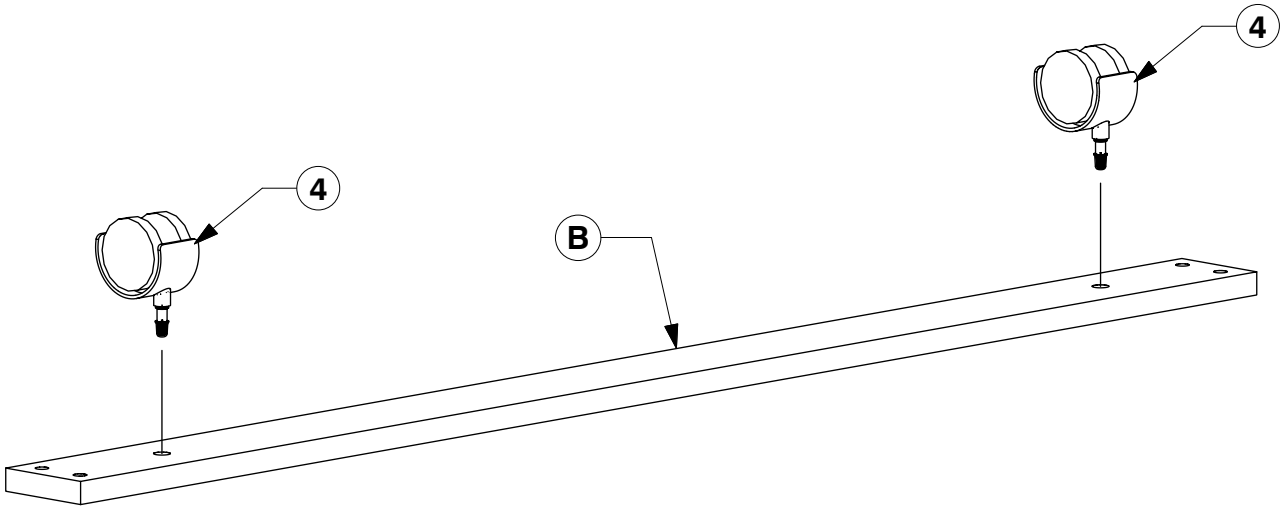
4 Wheels
x 4

Daybed Trundle

Assembly Instructions

WII-0419

- 4** Fit the Wheels (4) to the Trundle Support Rail (B).



- 5** Assemble the Set of Slats (C) & Trundle Support Rail (B) to the Trundle Panel (A).

